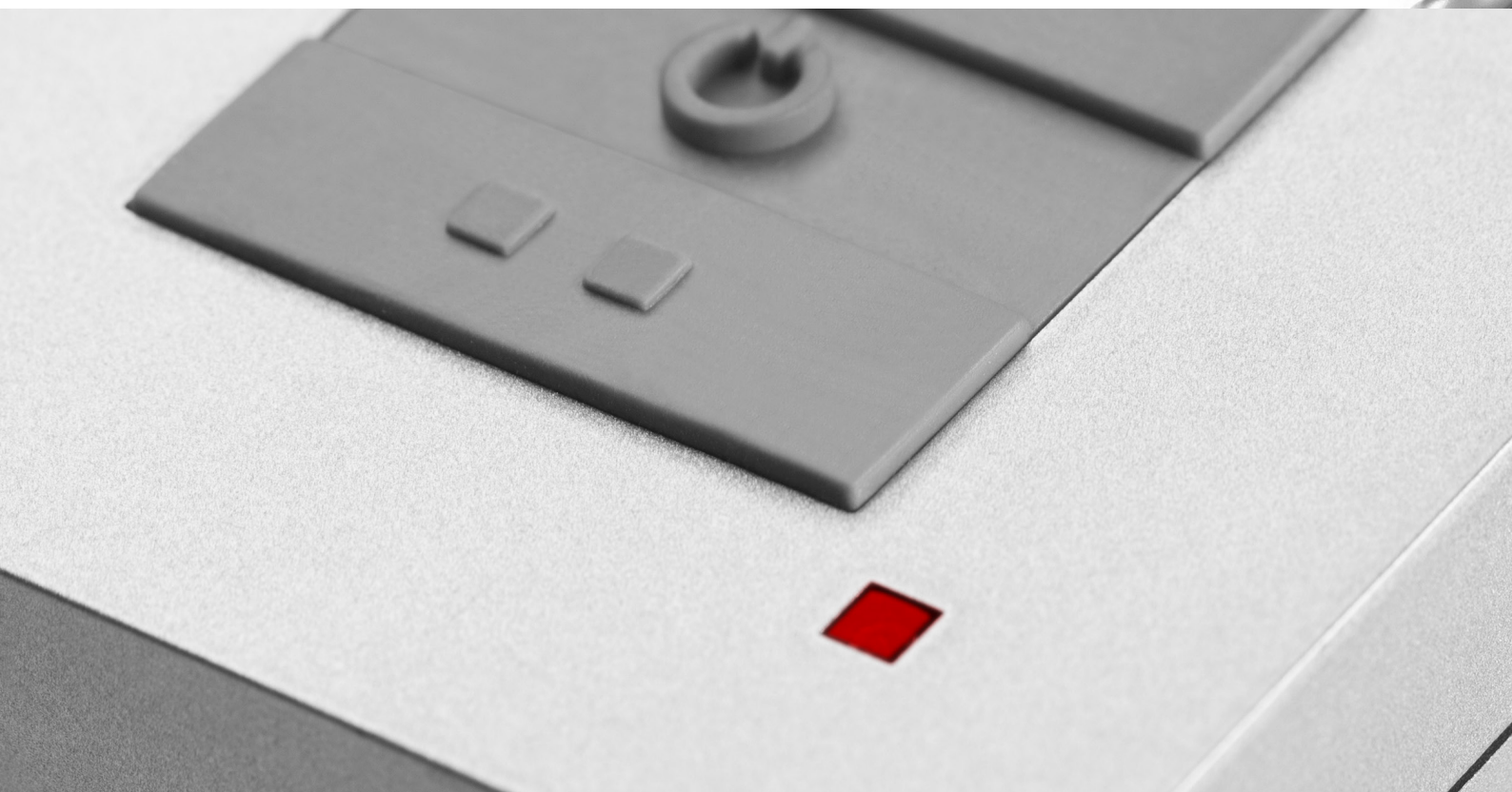


KTX 1



photo: silver, spiral cable



Functions and features:

functionality

The KTX 1 has two settings, 50%, and 100% of the nominal power and it utilizes the Terma-Split System allowing the disconnection of the heating element part (Terma Split) from the controller.

Intelligent Building Systems

In the event of a power failure heater remembers its setting (last setting used) enabling collaboration with external timers and intelligent systems buildings.

Safety

The KTX1 is equipped with frost protection (ANTIFREEZE). It has double protection against overheating of the radiator. Heater displays warning indicators in case of malfunction.

Design

The KTX 1 has large, ergonomic buttons. It has a screw connection and a cable masking cover is available. A version with cable masking cover, additional power on/off switch and screw connection is also available.

Colour

Available colours: white, silver, chrome and black. Heating element can also be offered in any RAL colour and Terma special colours (including brass and gold) subject to a minimum order of 100 pcs per colour.

Specifications:

Power supply:	230 V / 50 Hz
Heating element:	Terma Split I
Device protection class:	Class I
Radiator connection:	G 1/2"
Ingress protection [IP]:	IPx4

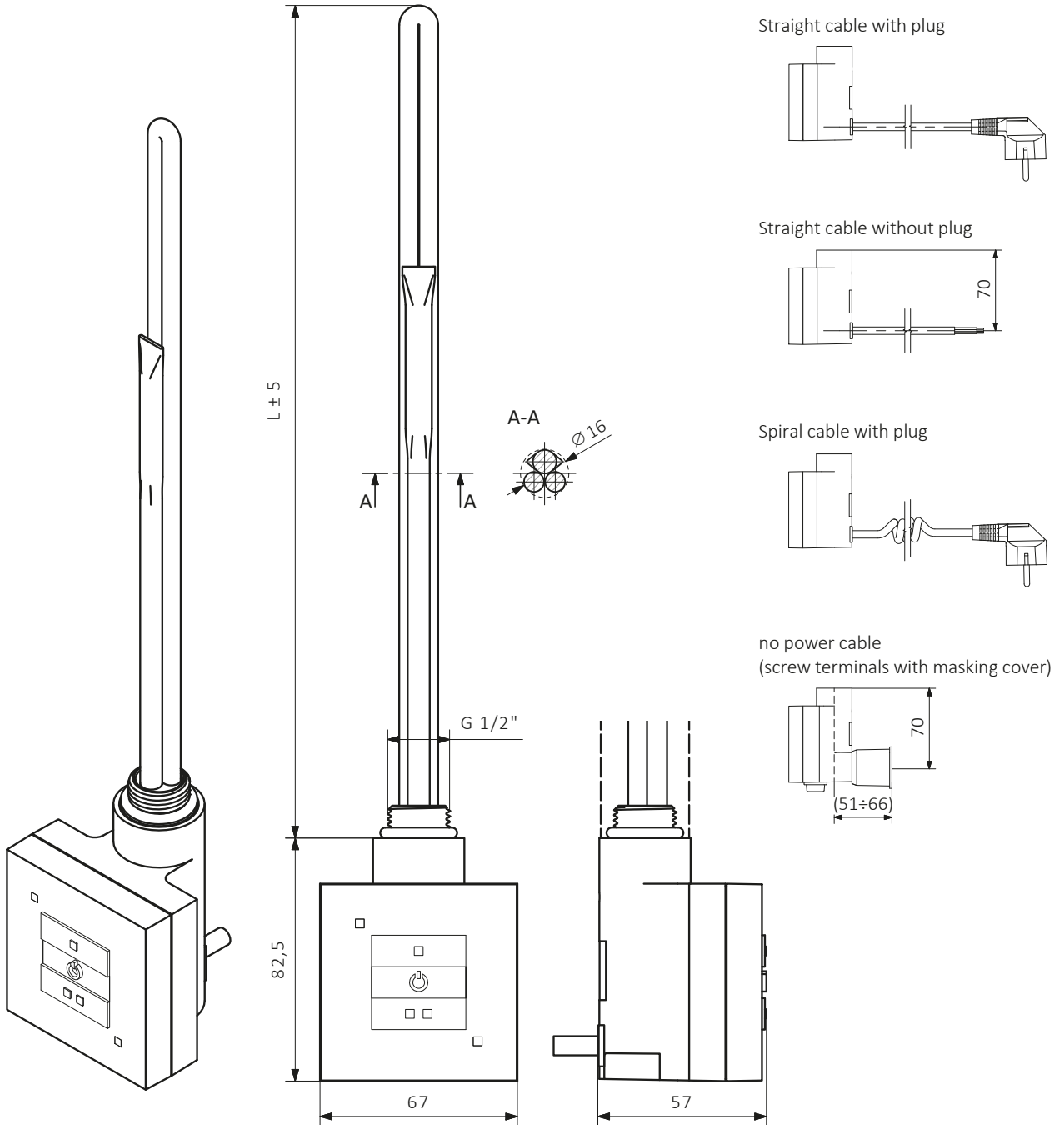
Table configurations:

Example of product code: **WE**^{Element power code}**KT1**^{Colour or finish code}**04**^{Model code}**T**^{Packaging code}**SMA**^{Cable type and plug code}**W**

Code elements highlighted in blue

Model	Power [W]	Packaging	Colour	Cable Type
WE KT1 KTX 1	– controller only	K Box	916 White	W Straight cable with plug
	01 120	T Tube	SMA Silver	P Straight cable without plug
	02 200		CRO Chrome	U Spiral cable with plug
	03 300		905 Black	S no power cable
	04 400			(screw terminals with masking cover)
	06 600			
	08 800			
	10 1000			

KTX 1



L [mm]	325	285	310	345	375	485	575
Power [W]	120	200	300	400	600	800	1000